

SOLAR LIGHT I

 **MISK**<sup>TM</sup>  
For Brighter Surroundings



## THERMOS 2

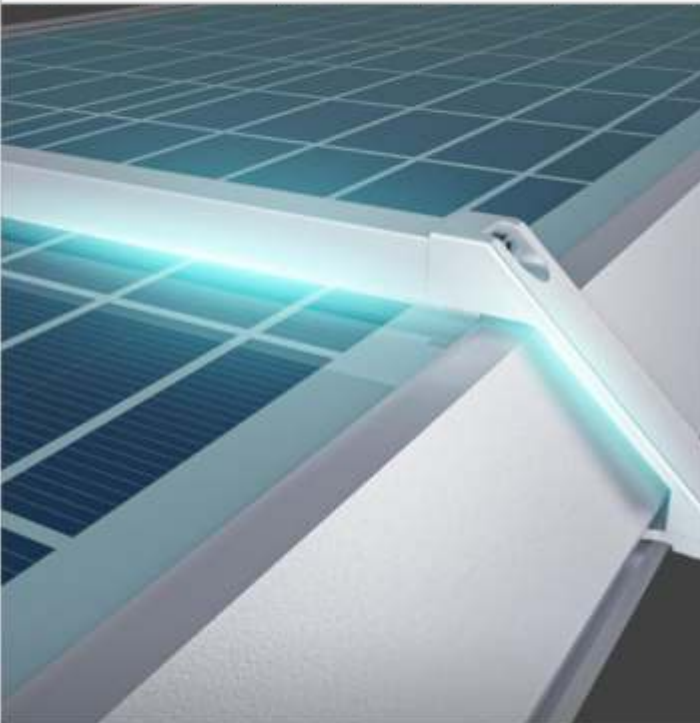
SOLAR STREET LIGHT  
WITH AUTO-CLEANING  
FUNCTION



SSL-72/73/74/75/76-V1.0

# Product Advantage

SOLAR STREET LIGHT WITH AUTO-CLEANING FUNCTION  
Works in environmental temperature up to 60 °C



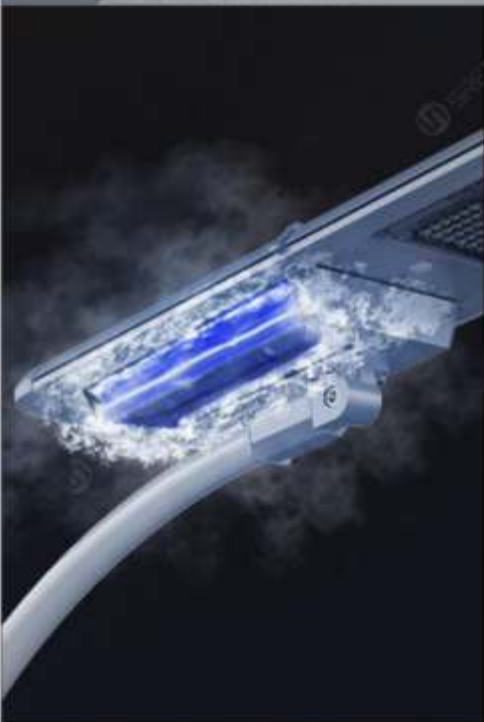
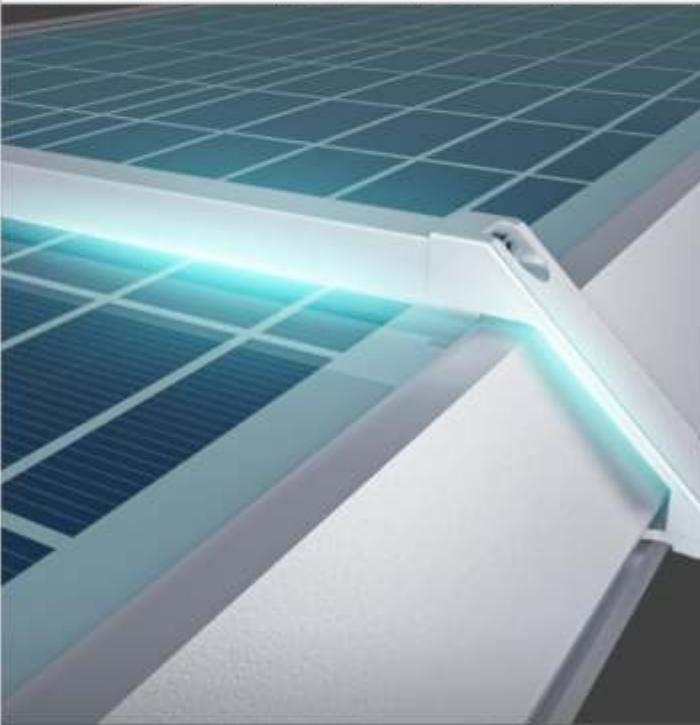
## AUTOMATIC HEATING FUNCTION

Built-in heating system ensures the lamp working well in extreme cold area.



# Product Advantage

SOLAR STREET LIGHT WITH AUTO-CLEANING FUNCTION  
Works in environmental temperature up to 60°C



## HIGH-TEMPERATURE PROTECTION

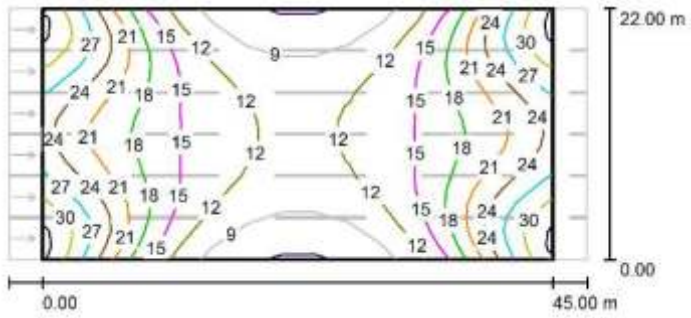
Battery Lifespan in high temperature area is longer as one feature will prevent battery still being charged at abnormal Hot environment.



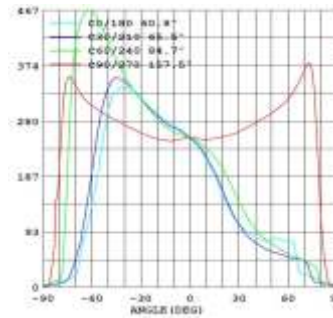
Item: THERMOS 2	SSL-72 (H)	SSL-73 (H)	SSL-74 (H)	SSL-75 (H)	SSL-76 (H)
Light Brightness	4000LM	6000LM	8000LM	10000LM	12000LM
<b>Solar panel</b>					
Power	35.7W /16.2V	47.5W /16.2V	61.4W /16.2V	78.8W /16.2V	95W /16.2V
<b>Li-ion battery</b>					
Capacity	14.8V 269.36WH 2.6AH/PCS	14.8V 384.8WH 2.6AH/PCS	14.8V 538.72WH 2.6AH/PCS	14.8V 654.16WH 2.6AH/PCS	14.8V 769.6WH 2.6AH/PCS
Charging/Discharging Temp	-20~45°C / -20~60°C				
Charging Time	8.2H	8.8H	9.6H	9H	8.8H
LED (OSRAM)	3030 / 96pcs	3030 / 144pcs	3030 / 192pcs	3030 / 240pcs	3030 / 336pcs
Color Temp	4000K, Ra 70+	4000K, Ra 70+	4000K, Ra 70+	4000K, Ra 70+	4000K, Ra 70+
Efficiency	190lm/W	190lm/W	190lm/W	190lm/W	190lm/W
<b>Performance</b>					
Lighting Time in Rainyday	>10 Days				
Control Mode	Button Switch, ON/OFF Long Press 1.5s				
Lighting Mode	100% (5H) +20% Till dawn				
Mode Indication	-				
Capacity Indication	4LEDs: >95%; 3LEDs: 60%~80%; 2LEDs: 40%~60%; 1LEDs: <20%; The 1st LED flashes quickly: Low power				
FAS	YES				
PIR	120°, >8m , Activated by customer 's need				
Core technology	ALS2.1				
Solar Panel Autoclean	YES				
IP/IK Class	IP65 / IK08				
Install Height / Distance	4m / 12m	6m / 18m	8m / 24m	10m /30m	12m / 36m

## SSL-72(H) / 73(H) / 74(H) / 75(H) / 76(H)

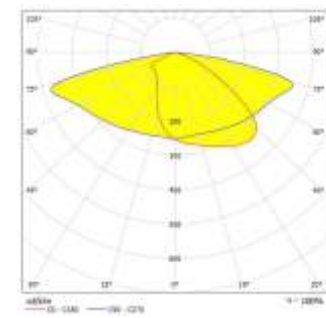
Road Simulated Diagram

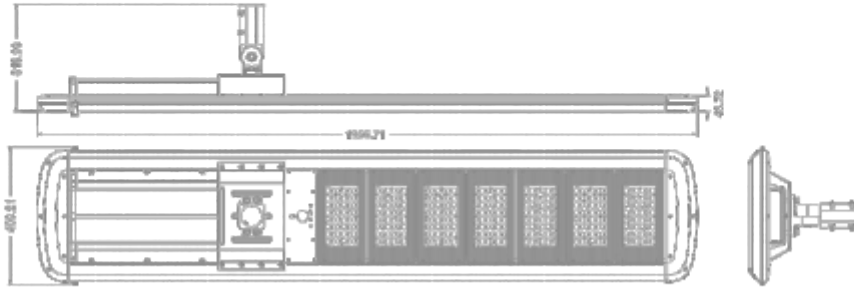


Illumination Curve

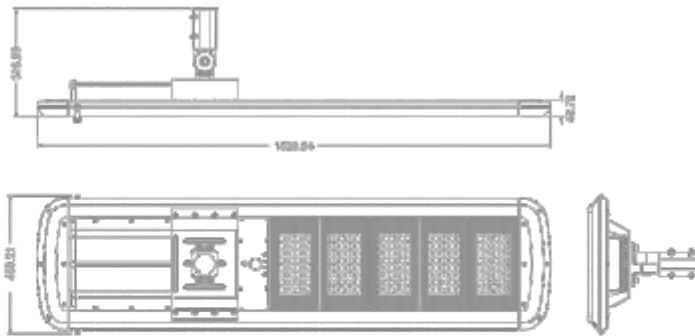


Luminance Distribution

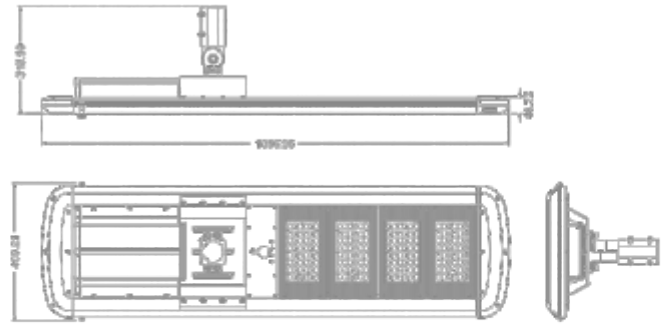




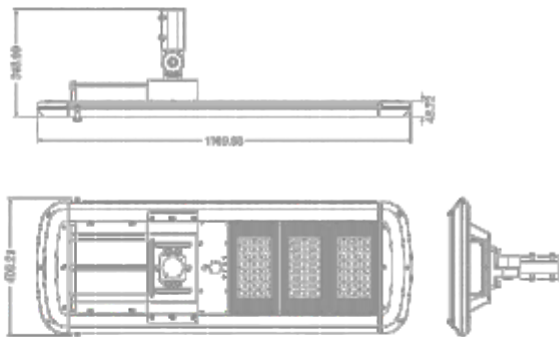
SSL-76 (H)



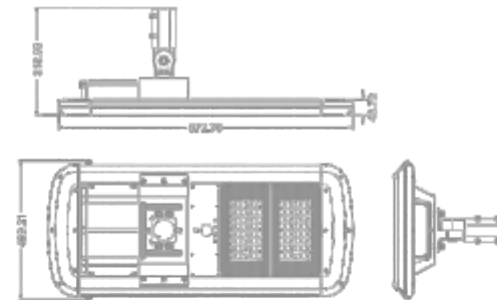
SSL-75 (H)



SSL-74 (H)



SSL-73 (H)



SSL-72 (H)



High Lumen LEDs  
190lm/W



LED Indicator for All Status



Bracket  
Adjustable Angle Bracket (0° - 180°)



Battery Pack  
Easy to Maintain



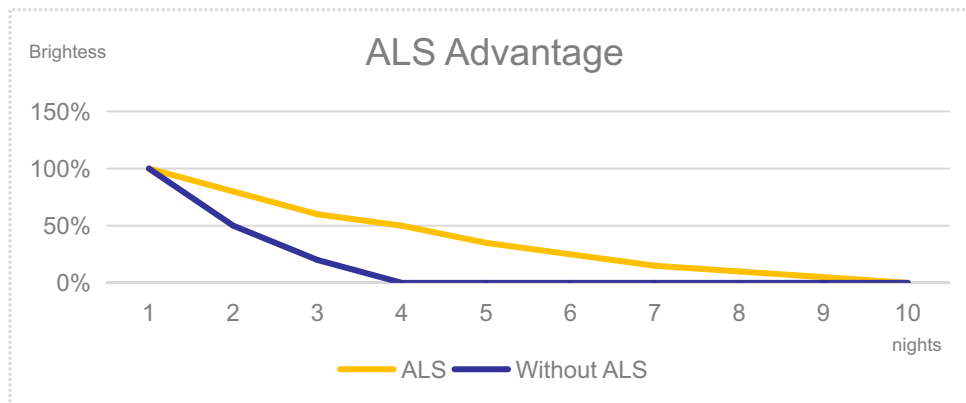
Monocrystalline  
Solar Charging Efficiency :>21%



Volatility Resistance in High TEMP  
Antifreezing in Low TEMP

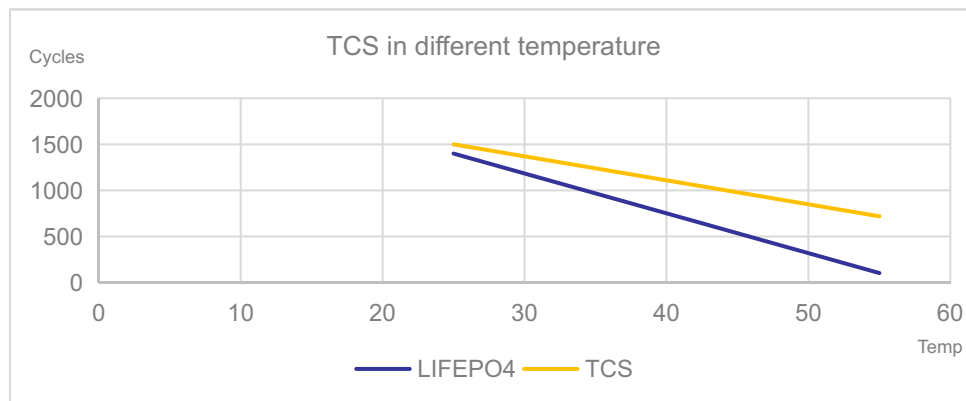


The ALS (Adaptive Lighting System) chip is a feature in our solar street lights that automatically adjusts the light produced during dark evenings without reducing the visibility.



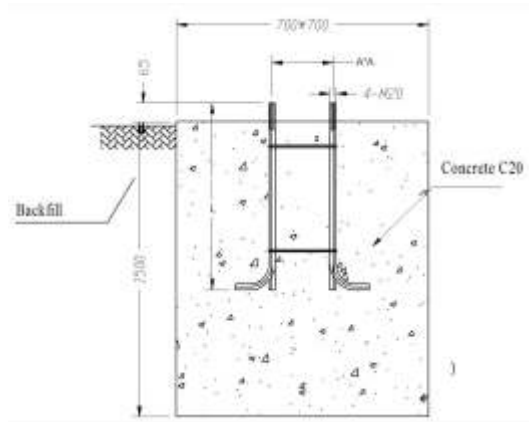
ADVANTAGE OF ALS

TCS (Temperature Control System) is a technology that acts as a battery control, preventing heat damage and ensuring the battery lasts longer

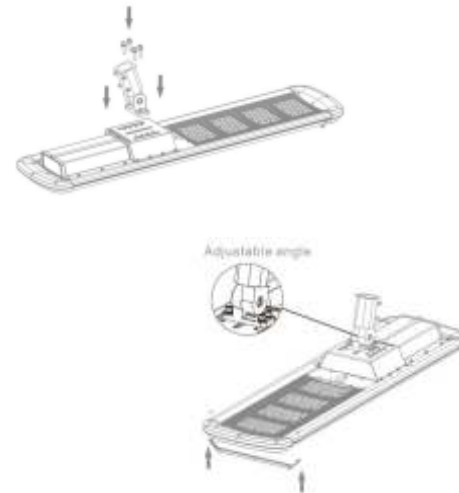


ADVANTAGE OF TCS

- 1 Dig a hole according to the size of the foundation cage, put the foundation cage into the hole and fix it with concrete C20.



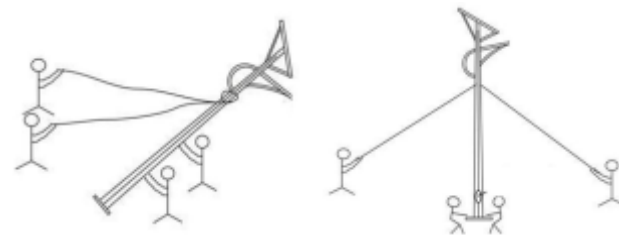
- 2 Use the supplied screws to fix the bracket on the lamp.



- 3 Use the supplied screws to fix the lamp on the pole.



- 4 Lift the lamp pole by the person or machine, align the bottom flange of the lamp pole with the foundation cage, and then fix the lamp pole with screws.



S / O / L / A / R / L / I / G / H / T



**Misk Technology Inc.**  
**Southerland Way, Fremont, California 94539,**  
**UNITED STATES OF AMERICA**



[info@misktech.com](mailto:info@misktech.com)



[www.misktech.com](http://www.misktech.com)