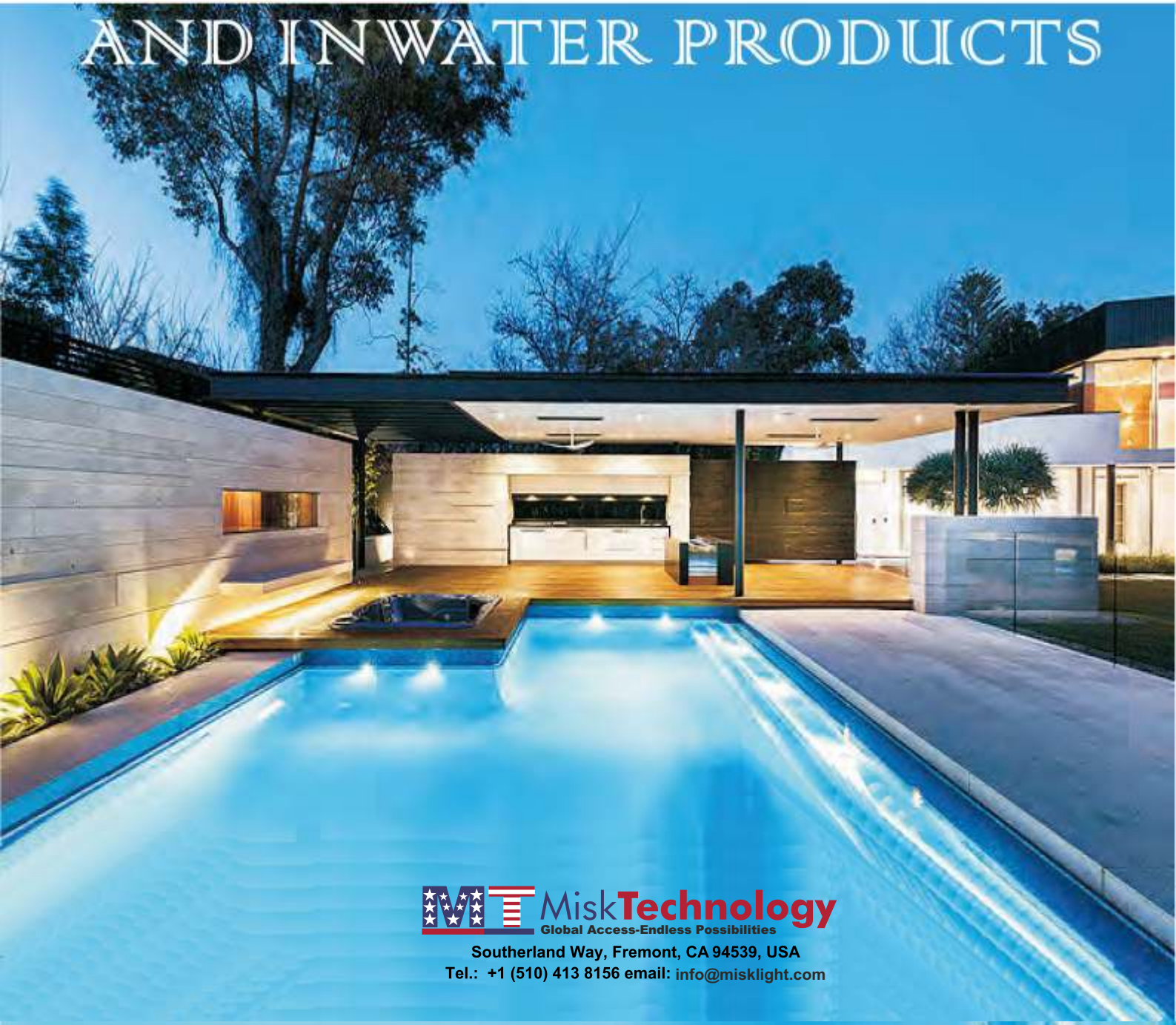


SWIMMING POOL AND INWATER PRODUCTS



NEW LED Resin Filled Pool Light-IP68

Product benefits

- LED Resin filled pool light with smart lighting function
- Unique desing creates a perfectly amazing visual appearance
- PC housing anti-UV,IP68 waterproof construction
- Newest design with patented product
- Multi-colors with SMD5050 RGB (3 in 1) chips



LGT-PAR-80 LGT-PAR-95 LGT-PAR-125 LGT-PAR-205 LGT-PAR-126 LGT-PAR-258 LGT-PAR-246

Technical data

Item No.	Power	Size(mm)	Color temperature	IP Grade	Beam angle(°)	Max	Chips	Volt.	Warranty
LGT-PAR-80	5W	Dia:80xH25	Single/RGB	IP 68	45	10m	Epistar/Bridgelux SMD	DC12V	2 years
LGT-PAR-95	3W	Dia:95xH35	Single/RGB	IP 68	45	10m	Epistar/Bridgelux SMD	DC12V	2 years
LGT-PAR-125/126	7/9W	Dia:125xH25	Single/RGB	IP 68	45	10m	Epistar/Bridgelux SMD	DC12V	2 years
LGT-PAR-165	18W	Dia:165xH25	Single/RGB	IP 68	45	10m	Epistar/Bridgelux SMD	DC12V	2 years
LGT-PAR-205	20/24/30W	Dia:205xH25	Single/RGB	IP 68	45	10m	Epistar/Bridgelux SMD	DC12V	2 years
LGT-PAR-258	18W	Dia:258x130xH25	Single/RGB	IP 68	45	10m	Epistar/Bridgelux SMD	DC12V	2 years
LGT-PAR-246	30/36W	Dia:246xH45	Single/RGB	IP 68	45	10m	Epistar/Bridgelux SMD	DC12V	2 years

NEW LED Resin Filled Pool Light-IP68

Product benefits

- LED Resin filled pool light with smart lighting function
- Unique desing creates a perfectly amazing visual appearance
- PC housing anti-UV,IP68 waterproof construction
- Newest design with patented product
- Multi-colors with SMD5050 RGB chips



LGT-PAR-1 by 1 LGT-PAR-1 by 2 LGT-PAR-1 by 4



D95-5W D125-9W D205-24W



RF-Remote control

Technical data

Item No.	Power	Size(mm)	Color temperature	IP Grade	Beam angle(°)	Max	Chips	Volt.	Warranty
LGT-PAR-1 by 1	5/9/15/24Wx1	Dia:80/95/125/165/205*H25	RGB+RF remote	IP 68	45	10m	Epistar/Bridgelux SMD	AC85-265V	2 years
LGT-PAR-1 by 2	5/9/15/24Wx2	Dia:80/95/125/165/205*H25	RGB+RF remote	IP 68	45	10m	Epistar/Bridgelux SMD	AC85-265V	2 years
LGT-PAR-1 by 4	5/9/15/24Wx4	Dia:80/95/125/165/205*H25	RGB+RF remote	IP 68	45	10m	Epistar/Bridgelux SMD	AC85-265V	2 years

NEW LED Resin Filled Pool Light-IP68



Product benefits

- LED Resin filled pool light with smart lighting function
- Unique desing creates a perfectly amazing visual appearance
- PC housing anti-UV, IP68 waterproof construction
- Newest design with 316 stainless cover.
- Multi-colors with SMD5050 RGB (3 in 1) chips



LGT-PAR-95



LGT-PAR-125



LGT-PAR-205



LGT-PAR-126



Technical data

Item No.	Power	Size(mm)	Color temperature	IP Grade	Beam angle(°)	Max	Chips	Volt.	Warranty
LGT-PAR-95	3W	Dia:95xH35	Single/RGB	IP 68	45	10m	Epistar/Bridgelux SMD	DC12V	2 years
LGT-PAR-125	7/9W	Dia:125xH25	Single/RGB	IP 68	45	10m	Epistar/Bridgelux SMD	DC12V	2 years
LGT-PAR-165	18W	Dia:165xH25	Single/RGB	IP 68	45	10m	Epistar/Bridgelux SMD	DC12V	2 years
LGT-PAR-205	20/24/30W	Dia:205xH25	Single/RGB	IP 68	45	10m	Epistar/Bridgelux SMD	DC12V	2 years
LGT-PAR-126	7/9W	Dia:125xH25	Single/RGB	IP 68	45	10m	Epistar/Bridgelux SMD	DC12V	2 years
LGT-PAR-258	18W	Dia:258x130xH25	Single/RGB	IP 68	45	10m	Epistar/Bridgelux SMD	DC12V	2 years
LGT-PAR-246	30/36W	Dia:246xH45	Single/RGB	IP 68	45	10m	Epistar/Bridgelux SMD	DC12V	2 years

NEW LED Spa Pool Light-IP68

Product benefits

- Multi-colors with SMD5050 RGB (3 in 1) chips
- Unique desing creates a perfectly amazing visual appearance
- Working in 12V , ABS and PC housing.
- Excellent waterproof grade.



LGT-SPA-M72



LGT-SPA-M126



LGT-SPA-M93



Technical data

Item No.	Power	Size(mm)	Color temperature	IP Grade	Beam angle(°)	Max	Chips	Volt.	Warranty
LGT-SPA-M72	3W	Dia:72xH58	Single/RGB	IP 65	45	/	Epistar/Bridgelux SMD	DC12V	2 years
LGT-SPA-M126	7/9W	Dia:126xH88	Single/RGB	IP 65	45	/	Epistar/Bridgelux SMD	DC12V	2 years
LGT-SPA-M93	3/9W	Dia:93xH145	Single/RGB+RF remote	IP 68	45	10m	Epistar/Bridgelux LED	AC12V	2 years

LED Swimming Pool Light-IP68

Product benefits

- LED Swimming Mounted pool light with smart lighting function
- Unique desing creates a perfectly amazing visual appearance
- PC cover and 304 stainledd housing,IP68 waterproof construction
- Multi-colors mode:Single color and RGB color with remote



LGT-SDA-180



LGT-SDA-230



LGT-SDA-300



Technical data

Item No.	Power	Size(mm)	Color temperature	IP Grade	Beam angle(°)	Max	Chips	Volt.	Warranty
LGT-SDA-180	LED:6W SMD:9W	Dia:180*H50	Single/RGB+RF remote	IP 68	30/45/60	10m	Epistar/Bridgelux LED &SMD	AC12V	2 years
LGT-SDA-230	LED:9/12W SMD:18W	Dia:230*H60	Single/RGB+RF remote	IP 68	30/45/60	10m	Epistar/Bridgelux LED &SMD	AC12V	2 years
LGT-SDA-300	LED:18/24/36W SMD:20/25/35/45/54W	Dia:295*H70	Single/RGB+RF remote	IP 68	30/45/60	10m	Epistar/Bridgelux LED &SMD	AC12V	2 years

LED Wall Mounted Swimming Pool Light-IP68

Product benefits

- LED Swimming Mounted pool light with smart lighting function
- Unique desing creates a perfectly amazing visual appearance
- PC housing,ExcellentIP68 waterproof construction
- Multi-colors mode:Single color and RGB color with remote



LGT-SDB-245



LGT-SDB-300



LGT-SDC-260



Technical data

Item No.	Power	Size(mm)	Color temperature	IP Grade	Beam angle(°)	Max	Chips	Volt.	Warranty
LGT-SDB-245	LED:9/12W SMD:18W	Dia:245xH55	Single/RGB+RF remote	IP 68	30/120	10m	Epistar/Bridgelux LED &SMD	AC12V	2 years
LGT-SDB-300	LED:18/24/36W SMD:20/25/35/45/54W	Dia:295xH70	Single/RGB+RF remote	IP 68	30/120	10m	Epistar/Bridgelux LED &SMD	AC12V	2 years
LGT-SDC-260	LED:18/24/36W SMD:20/25/35/45/54W	Dia:260xH60	Single/RGB+RF remote	IP 68	30/120	10m	Epistar/Bridgelux LED &SMD	AC12V	2 years

NEW LED Wall Mounted Pool Light-IP68



Product benefits

- Multi-colors with SMD5050 RGB chips
- Unique desing creates a perfectly amazing visual appearance
- Working in 12V AC.PC housing anti-UV
- Excellent IP68 waterproof construction



LGT-SDN-230



LGT-SDS-300



LGT-SDD-300

Technical data

Item No.	Power	Size(mm)	Color temperature	IP Grade	Beam angle(°)	Max	Chips	Volt.	Warranty
LGT-SDN-230	SMD:18W 3 Color:12W+12W	Dia:230xH55	3 Coloe(W+WW+NW) Single/RGB+RF remote	IP 68	120	10m	Epistar/Bridgelux SMD	AC12V	2 years
LGT-SDS-300	SMD:25/35/45/54W 3 Color:25W+25W	Dia:295xH50	3 Coloe(W+WW+NW) Single/RGB+RF remote	IP 68	120	10m	Epistar/Bridgelux SMD	AC12V	2 years
LGT-SDD-300	LED:18/24/36W	Dia:295xH70	Single/RGB+RF remote	IP 68	45	10m	Epistar/Bridgelux LED	AC12V	2 years

LED Swimming Pool Light-IP68

Product benefits

- Multi-colors with SMD5050 RGB chips
- Unique desing creates a perfectly amazing visual appearance
- Newest design with patented product
- PC housing anti-UV,IP68 waterproof construction
- Multi-colors:1:single color 2.RGB color with remote



LGT-PAR-245



LGT-PAR-300



LGT-SDP56

Technical data

Item No.	Power	Size(mm)	Color temperature	IP Grade	Beam angle(°)	Max	Chips	Volt.	Warranty
LGT-PAR245	SMD:18W	Dia:245xH50	Single/RGB+RF remote	IP 68	120	10m	Epistar/Bridgelux SMD	AC12V	2 years
LGT-PAR300	SMD:20/25/35/45W	Dia:300xH50	Single/RGB+RF remote	IP 68	120	10m	Epistar/Bridgelux SMD	AC12V	2 years
LGT-PDP56	LED:12/18/24/36W SMD:20/25/35/45W	Dia:178 xH96	Single/RGB+RF remote	IP 68	120	10m	Epistar/Bridgelux SMD	AC12V	2 years

NEW Solar swimming pool light



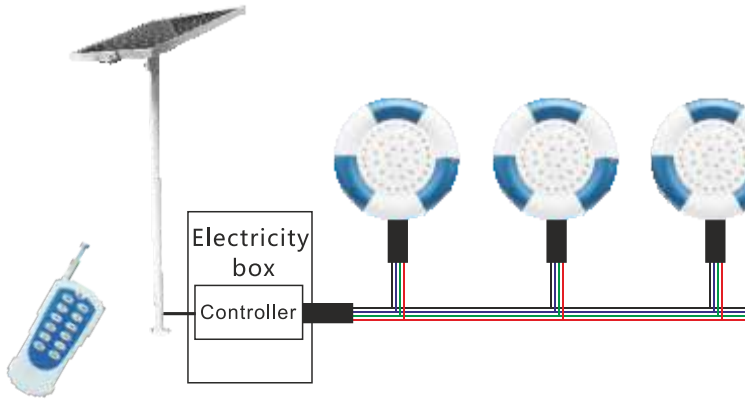
Product benefits

- Multi-colors with SMD5050 RGB chips
- Unique desing creates a perfectly amazing visual appearance
- Working in 12V AC.PC housing anti-UV
- Excellent IP68 waterproof construction
- Energy saving, no need to connect electricity



LGT-SDB-300

LGT-SDS-300



RF-Remote control



Technical data

Item No.	Power	Solar panel	Light Size(mm)	Color temperature	IP Grade	Beam angle(°)	Max	Chips	Warranty
LGT-PSL	24W	40W	Dia:245xH35 Dia:260xH70 Dia:295xH50	RGB+RF remote	IP 68	120	10m	Epistar/Bridgelux SMD	2 years

NEW Mini Fountain IP68

Product benefits

- Multi-colors with SMD5050 RGB chips
- Unique desing creates a perfectly amazing visual appearance
- Working in 110-265V AC.PC housing anti-UV
- Excellent IP68 waterproof construction



Stainless steel cover

PC cover



Fountain Nozzle for choice

Technical data

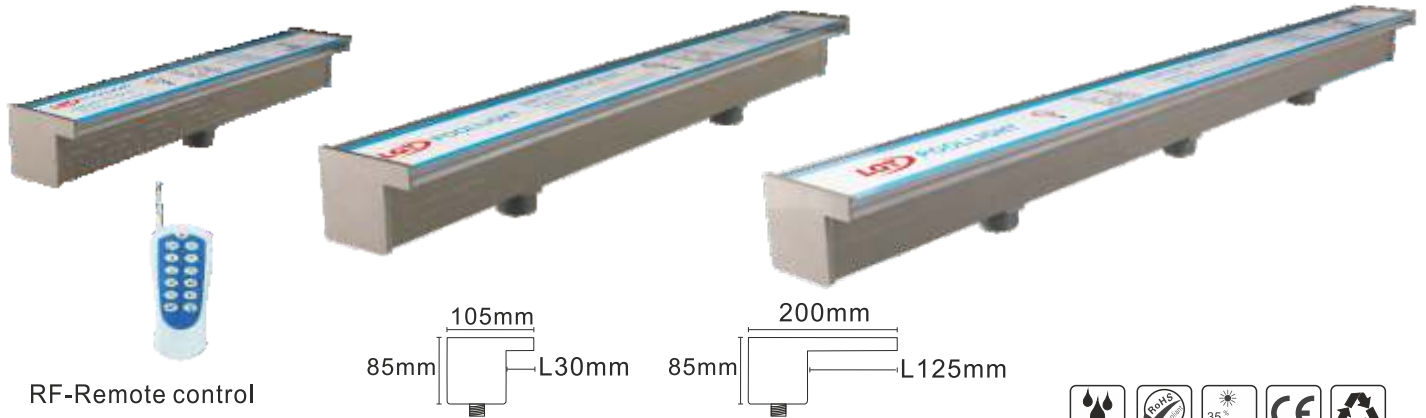
Item No.	Power	Light Size (mm)	Color temperature	IP Grade	Beam angle(°)	Max	Chips	Volt.	Warranty
LGT-FTPC	18W	Dia:125xH25	RGB+RF remote	IP 68	120	1-2m	Epistar/Bridgelux SMD	AC110-265V	2 years

NEW LED Water Descent



Product benefits

- Features, one-piece molding, more sturdy, uniform water output, beautiful and elegant design.
- PC material, high temperature resistance, corrosion resistance, oxidation resistance.
- Epistar or Bridgelux chips are available
- Suitable for villas, courtyards, gardens, pool water curtain walls.



Technical data

Item No.	Power	Size(mm)	Color temperature	Chips	Volt.	Warranty
LGT-SDWB-300L30	6W	300*L30	Single/RGB+RF remote	Epistar/Bridgelux SMD	AC85-265V	2 Years
LGT-SDWB-600L30	9W	600*L30	Single/RGB+RF remote	Epistar/Bridgelux SMD	AC85-265V	2 Years
LGT-SDWB-900L30	12W	900*L30	Single/RGB+RF remote	Epistar/Bridgelux SMD	AC85-265V	2 Years
LGT-SDWB-1200L30	15W	1200*L30	Single/RGB+RF remote	Epistar/Bridgelux SMD	AC85-265V	2 Years
LGT-SDWB-1500L30	18W	1500*L30	Single/RGB+RF remote	Epistar/Bridgelux SMD	AC85-265V	2 Years
LGT-SDWB-300L125	6W	300*L125	Single/RGB+RF remote	Epistar/Bridgelux SMD	AC85-265V	2 Years
LGT-SDWB-600L125	9W	600*L125	Single/RGB+RF remote	Epistar/Bridgelux SMD	AC85-265V	2 Years
LGT-SDWB-900L125	12W	900*L125	Single/RGB+RF remote	Epistar/Bridgelux SMD	AC85-265V	2 Years
LGT-SDWB-1200L125	15W	1200*L125	Single/RGB+RF remote	Epistar/Bridgelux SMD	AC85-265V	2 Years
LGT-SDWB-1500L125	18W	1500*L125	Single/RGB+RF remote	Epistar/Bridgelux SMD	AC85-265V	2 Years

LED Fountain Light IP68

Product benefits

- High quality 304 stainless steel housing, ensure high pressure and IP68.
- Single color or RGB (3 in 1) for choice.
- Epistar, Bridgelux and Cree chips are available.
- Contains no mercury.



LGT-SD YC(series)



LGT-SD-Y(series)



LGT-SD-YA(series)



LGT-SD-YB(series)



Technical data

Item No.	Power	Size(mm)	Color temperature	IP Grade	Beam angle(°)	Material	Chips	Volt.	Warranty
LGT-SD-Y(series)	6/9/12/18W	Dia:130/160/180/200	Single/RGB	IP 68	30/45/60	304 stainless	Epistar/Bridgelux LED & SMD	AC12V	2 years
LGT-SD-YA(series)	Single:6/9/12/18W RGB:18/27/36/54W	Dia:150/180/200	Single/RGB	IP 68	30/45/60	304 stainless	Epistar/Bridgelux LED & SMD	AC12V	2 years
LGT-SD-YB(series)	Single:6/9/12W RGB:18/27/36W	Dia:180/210/245	Single/RGB	IP 68	30/45/60	304 stainless	Epistar/Bridgelux LED & SMD	AC12V	2 years
LGT-SD-YC(series)	Single:6/9/12W RGB:18/27/36W	Dia:180/210/245	Single/RGB	IP 68	30/45/60	304 stainless	Epistar/Bridgelux LED & SMD	AC12V	2 years

LED Mini Underground Light IP68

Product benefits

- High quality 304 stainless housing, Excellent IP68 waterproof grade
- Available for Inwater and landscape.
- Epistar or Bridgelux chips are available
- Contains no mercury.



LGT-PB10



LGT-PB15



LGT-PB22



LGT-PB25



LGT-PB32

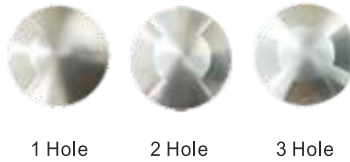
Technical data

Item No.	Power	Size(mm)	Color temperature	IP Grade	Beam angle(°)	Material	Chips	Volt.	Warranty	
LGT-PB10	0.3W	Dia:10xH25	Dia:D8	Single	IP 68	/	304 stainless	Epistar/Bridgelux SMD	DC12V	2 years
LGT-PB15	0.3W	Dia:15xH25	Dia:D13	Single	IP 68	/	304 stainless	Epistar/Bridgelux SMD	DC12V	2 years
LGT-PB22	0.3W	Dia:22xH55	Dia:D18	Single	IP 68	/	304 stainless	Epistar/Bridgelux SMD	DC12V	2 years
LGT-PB25	0.3W	Dia:25xH35	Dia:D20	Single	IP 68	/	304 stainless	Epistar/Bridgelux SMD	DC12V	2 years
LGT-PB32	0.5W	Dia:32xH50	Dia:D25	Single	IP 68	30	304 stainless	Epistar/Bridgelux SMD	DC12V	2 years

LED Mini Underground Light IP68

Product benefits

- High quality 304 stainless housing, ensure high pressure and IP68.
- Available for Inwater.
- Epistar, Bridgelux and Cree chips are available.
- Contains no mercury.



LGT-PB-R42 LGT-PB-R52 LGT-PB-R62

LGT-PB-RC42 LGT-PB-RC52

LGT-PB-RC75

Round Square

Technical data

Item No.	Power	Size(mm)	Color temperature	IP Grade	Beam angle(°)	Material	Chips	Volt.	Warranty
LGT-PB-R42	1W	Dia:D42xH70 Dia:D36	Single	IP 68	30/45/60	304 stainless	Epistar/Bridgelux LED & SMD	AC12V/AC85-265V	2 years
LGT-PB-R52	1/3W	Dia:D52xH80 Dia:D46	Single	IP 68	30/45/60	304 stainless	Epistar/Bridgelux LED & SMD	AC12V/AC85-265V	2 years
LGT-PB-R62	1/3W	Dia:D62xH90 Dia:D56	Single	IP 68	30/45/60	304 stainless	Epistar/Bridgelux LED & SMD	AC12V/AC85-265V	2 years
LGT-PB-RC42	3W	Dia:D42xH70 Dia:D36	Single	IP 68	45	304 stainless	Epistar/Bridgelux COB	AC12V/AC85-265V	2 years
LGT-PB-RC55	3W	Dia:D52xH80 Dia:D46	Single	IP 68	45	304 stainless	Epistar/Bridgelux COB	AC12V/AC85-265V	2 years
LGT-PB-RC62	3W	Dia:D62xH90 Dia:D56	Single	IP 68	45	304 stainless	Epistar/Bridgelux COB	AC12V/AC85-265V	2 years
LGT-PB-RC75	5W	Dia:D75xH95 Dia:D66	Single	IP 68	45	304 stainless	Epistar/Bridgelux COB	AC12V/AC85-265V	2 years

LED Underwater Light IP68

Product benefits

- High quality 304 stainless housing, Ip68 waterproof construction.
- Available for Inwater and landscape.
- Epistar or Bridgelux chips are available
- Contains no mercury.



Stainless Body



LGT-SD-A(series)



LGT-SD-M(series)

Technical data

Item No.	Power	Color temperature	IP Grade	Beam angle(°)	Material	Chips	Volt.	Warranty
LGT-SD-A(series)	Single:3/6/9/12/18W RGB:9/18/27/36/54W	Single/RGB	IP 68	10/15/20/30/45/60	304 stainless	Epistar/Bridgelux LED & SMD	AC12V	2 years
LGT-SD-M(series)	Single:3/6/9/12/18W RGB:9/18/27/36/54W	Single/RGB	IP 68	10/15/20/30/45/60	304 stainless	Epistar/Bridgelux LED & SMD	AC12V	2 years

LED Underground Light IP65

Product benefits

- High quality stainless cover, ensure high pressure and IP65
- Single color or RGB for choice
- Epistar, Bridgelux, Cree and Philips chips are available
- Contains no mercury



LGT-MDD-Y(series)

Technical data

Item No.	Power	Color temperature	IP Grade	Beam angle(°)	Material	Chips	Volt.	Warranty
LGT-MDD-Y	1/3/6/9/12/18/24W	Single/RGB	IP 65	30/45/60	SS+Diecasting AL	Bridgelux/Osram LED & SMD	AC12V/AC85-265V	2 years

LED Underground Light IP67

Product benefits

- High quality stainless cover, ensure high pressure and IP65
- Single color or RGB for choice
- Epistar, Bridgelux, Cree and Philips chips are available
- Contains no mercury



LGT-MDD-KTA(series)

Technical data

Item No.	Power	Color temperature	IP Grade	Beam angle(°)	Material	Chips	Volt.	Warranty
LGT-MDD-KTA	3/6/9/12/18/24W	Single/RGB	IP 67	30/45/60	SS+Diecasting AL	Bridgelux/Osram LED & SMD	AC12V/AC85-265V	2 years

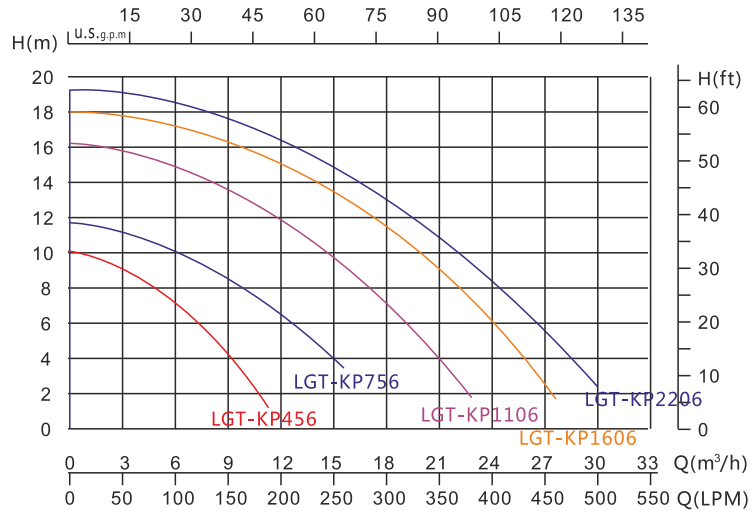
Water Pump Series



Product benefits

The Pump are used for water circulation in all kinds of small domestic swimming pools. Slightly dirty water with solids in suspension can be perfectly

- Features:
 - oLiquid Temperature: 5~ 50 °C (41 ~ 122 °F)
 - oAmbient Temperature: up to 40 °C (104 °F).
 - oMaximum working pressure: 3.0 bar.
 - oIPX5 waterproof standard.
 - oInsulation Class: F.o
 - oThermal protection included.
 - oSingle phase: 220V/50Hz
 - o220V/60Hz, 110V/60Hz; 380V/50Hz(P≥450W) are available on request.
- Max.Suction:3M(P≥600W)



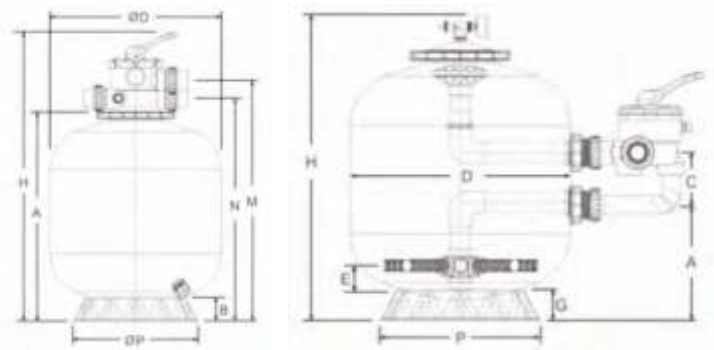
Technical data

Item Code	Picture	Voltage (V)	Q-max (m³/h)	H-max (m)	Horsepower (HP)	Rated Power(KW)	Connection Size	Outer CTN Dimension in cm			Volume /CTN
								L	W	H	
LGT-KP456		AC180-230V 50HZ	11.1	10	0.6	0.45	1.5" or 50mm	44.00	17.00	21.00	0.02
LGT-KP756			15.6	12.5	1.0	0.75	1.5" or 50mm	44.00	17.00	21.00	0.02
LGT-KP1106			22.6	16	1.5	1.1	48.5mm&50mm or 60.3mm &63mm	60.50	22.50	25.50	0.03
LGT-KP1606			27.9	18	2.0	1.6	48.5mm&50mm or 60.3mm &63mm	60.50	22.50	25.50	0.03
LGT-KP2206			30.9	19.5	3.0	2.2	48.5mm&50mm or 60.3mm &63mm	60.50	22.50	25.50	0.03

Water Filters Series

Product benefits

- Made of high density polyethylene material, corrosive-proof, safe and environmental.
- Unitized thermal plastic filter tank tough, durable and suitable for many different weather condition.
- Easy-to-use multiport valve lets you select any of the valve/filter operation with a simple lever-action.
- These sand filters are applicable in all types of pool, spa, fountain, waterscape and aquarium.



Technical data

Item Code	Picture	Spec	Pipe Size		Filter Area (m²)	Design Flow		0.5-0.8mm Sand Weight	Tank Volume (m³)	Valve Volume (m³)	Tank Weight (kg)	Valve Weight (kg)
			inches	mm		m³/h	lpm					
LGT-P-DG350		D350	1.5	50	0.1	4.5	75	25	0.1	0.02	4	3
LGT-P-DG400		D410	1.5	50	0.13	6.5	108	34	0.1	0.02	5	3
LGT-P-DG450		D450	1.5	50	0.16	8	133	50	0.2	0.02	6.5	3
LGT-P-DG500		D535	1.5	50	0.23	11.5	192	80	0.2	0.02	9.2	3
LGT-P-DG650		D635	1.5	50	0.32	16	267	160	0.3	0.02	12.1	3
LGT-P-DG700		D710	1.5	50	0.4	20	333	220	0.4	0.02	17	3
LGT-P-CG450		D450	1.5	50	0.16	8	133	50	0.2	0.02	7	3
LGT-P-CG500		D535	1.5	50	0.23	11.5	192	80	0.2	0.02	10.2	3
LGT-P-CG650		D635	1.5	50	0.32	16	267	160	0.3	0.02	13.1	3
LGT-P-CG700		D710	1.5	50	0.4	20	333	220	0.4	0.02	18	3